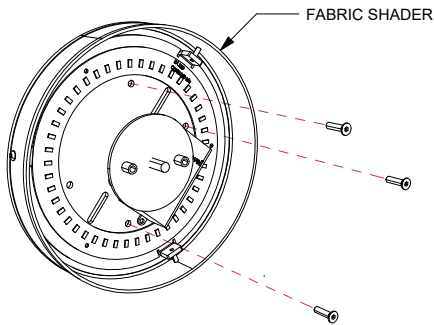


MESSIER

INSTALLATION & USE



Fasten the steel plate to wall with min. 3 anchors. Use the central slot holes for additional anchors.

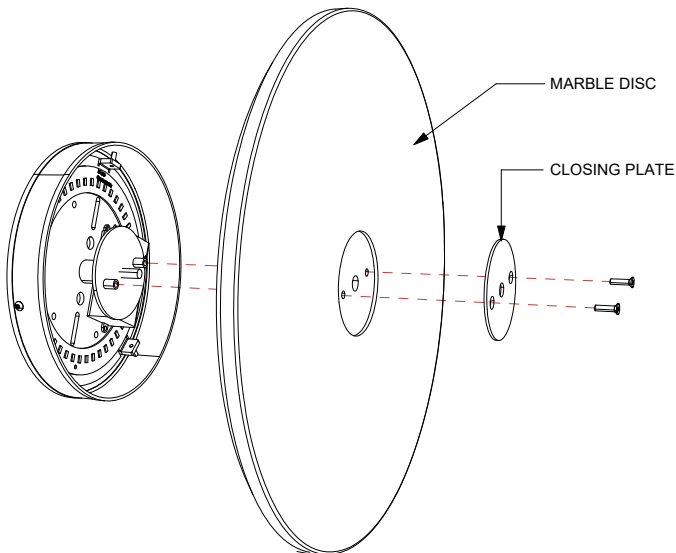
Consider the following weights to select number and type of anchors.

Messier 42 weight: 35 lbs
Messier 60 weight: 20 lbs

Consider the desired orientation of the marble veins before to fasten the plate to the wall.

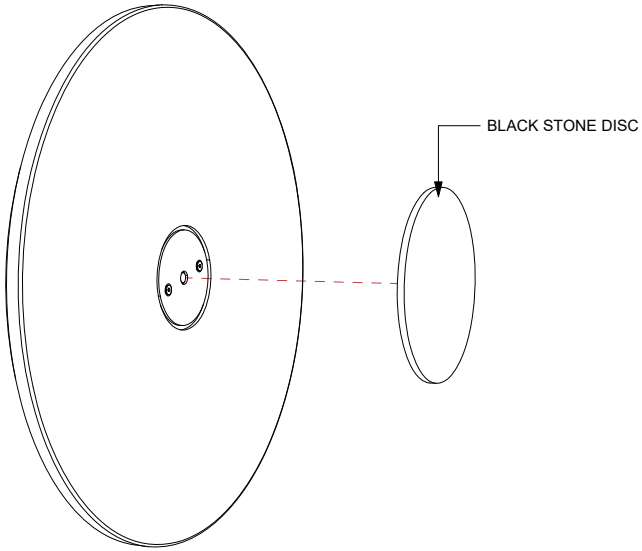
Horizontal orientation of the 3 central pins is recommended.

1



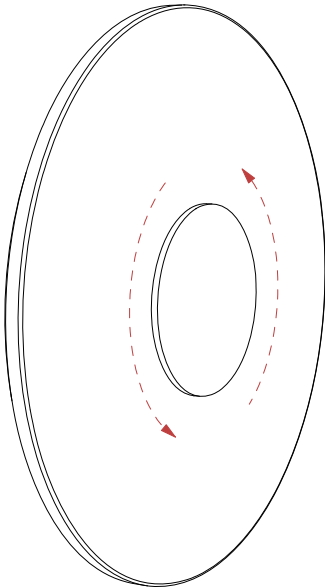
Insert the marble disc and block with closing plate and screws.

2



3

Insert the black stone disc.



4

Screw the black stone disc and secure the assembly without forcing.

RECCOMENDATIONS & USE

Messier is a handmade artistic product. Small imperfections are an inevitable consequence of the artisanal production process.

Calacata Marble from Apuan Alps (Carrara) is one of the most beautiful stones in the planet. Small defects and irregularities are part of its nature and are always fixed in the quarry or in the workshop with resine. Particular designs and use may reduce the structural capacity of the material and increase the fragility in specific points. The following recommendations help to avoid cracks and damages on the surface.

- Do not hit the surface (or the edge) with other hard materials such as metal, glass or sharp/heavy objects.
- Don't use vinegar, lemon juice, or other cleaners containing acids
- Don't use cleaners that contain acid such as bathroom cleaners, grout cleaners, or tub & tile cleaners. Don't use abrasive cleaners such as dry cleansers or soft cleansers
- Don't mix bleach and ammonia; this combination creates a toxic and lethal gas
- Don't ever mix chemicals together unless directions specifically instruct you to do so
- Don't use vacuum cleaners that are worn. The metal or plastic attachments or the wheels may scratch the stone's surface.
- Don't seal marble without specific recommendation of a stone expert about the most appropriate sealer for your product

Install the lamps following the instructions and using proper anchors to fasten the supporting steel plate to the wall.

For claims refer to the "Warranty - Sculptural Lighting Information" sheet.