



Messier

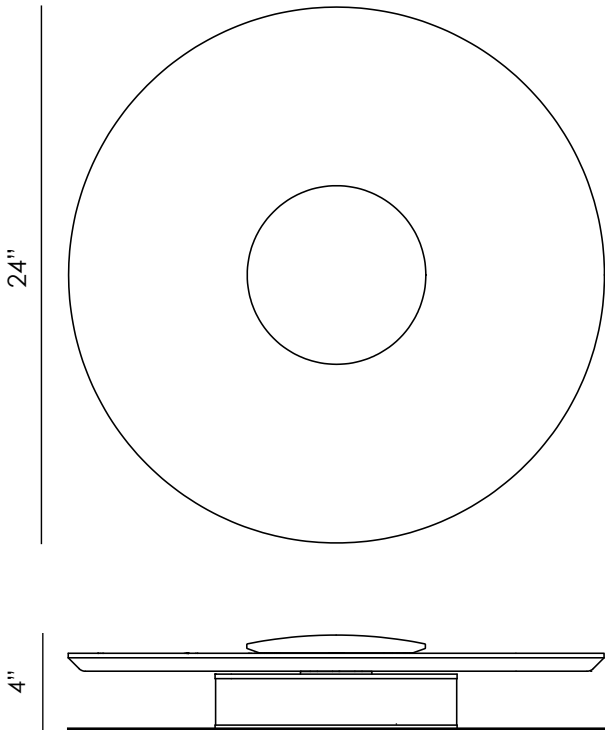
Named after the French astronomer Charles Messier (the first to publish an astronomical catalog of unknown celestial objects) and masterfully crafted in Italy with Calacata Borghini marble, Messier evokes the biggest mystery in the history of our universe. Creators and destroyers of our cosmos, black holes reverse everything we know about the sky above us.

Available in 2 diameters, 24" (Messier 60) and 16.5" (Messier 42), the stone disk can be alternately made with yellow onyx or alabaster while the singularity in the center is available in leather or polished finish.

Handcrafted in Italy

ETAMORPH

ETAMORPH LLC | info@etamorph.com | www.etamorph.com | Copyright © 2020



MESSIER 60

LAMPING

Costant Current LED Board
Power 24.8 Watt
4040 Total Lumen Output
Color Temperature 2700K
LED onboard driver
Energy efficiency class A++
Voltage 120-240

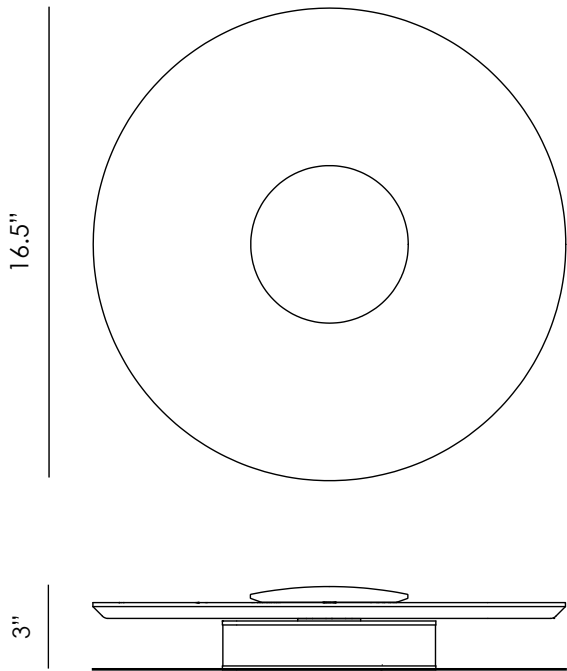
MATERIALS

Shader: Calata Borghini/Honyx/Alabaster
Center: Black Colonnata - Leather Finish
Chassis: WWAluminum & Powder Coated Steel

WEIGHT

37.5 Lbs (17Kg)

ETAMORPH



MESSIER 42

LAMPING

Costant Current LED Board
 Power 16.4 Watt
 2694 Total Lumen Output
 Color Temperature 2700K
 LED onboard driver
 Energy efficiency class A++
 Voltage 120-240

MATERIALS

Shader: Calata Borghini/Honyx/Alabaster
 Center: Black Colonnata - Leather Finish
 Chassis: Aluminum & Powder Coated Steel

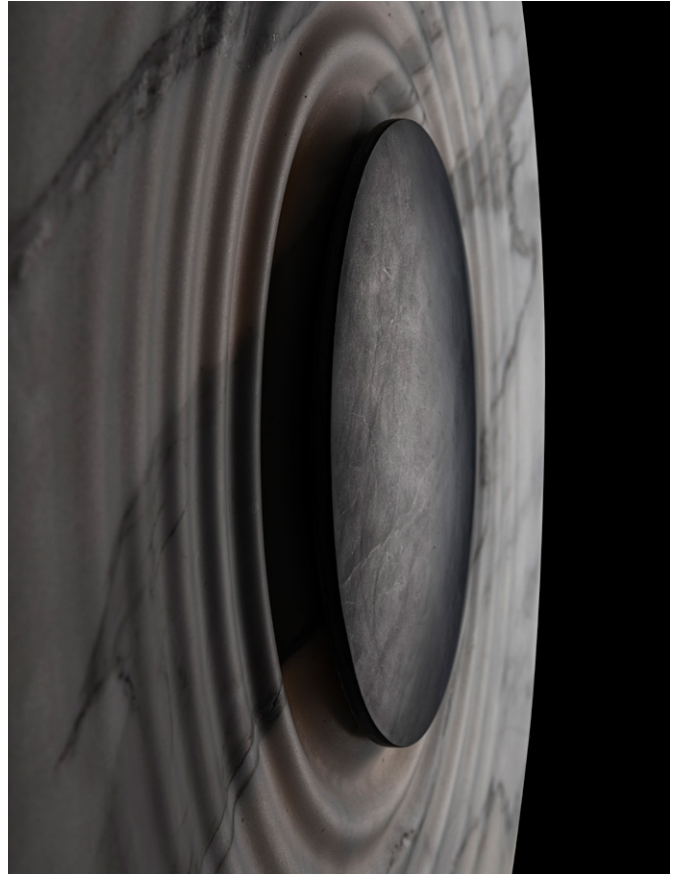
WEIGHT

22 Lbs (10 kg)

DISC SURFACE

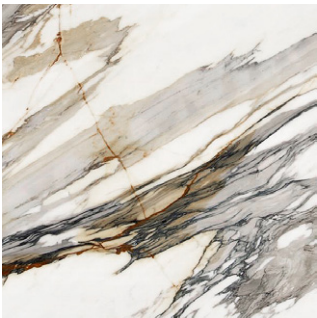


LIGHT RINGS
CNC engraving and hand-finishing.



GRAVITATIONAL WAVES
CNC carving and hand-finishing

DISC MATERIALS



CALACATA BORGHINI



YELLOW ONYX



ALABASTER

ETAMORPH